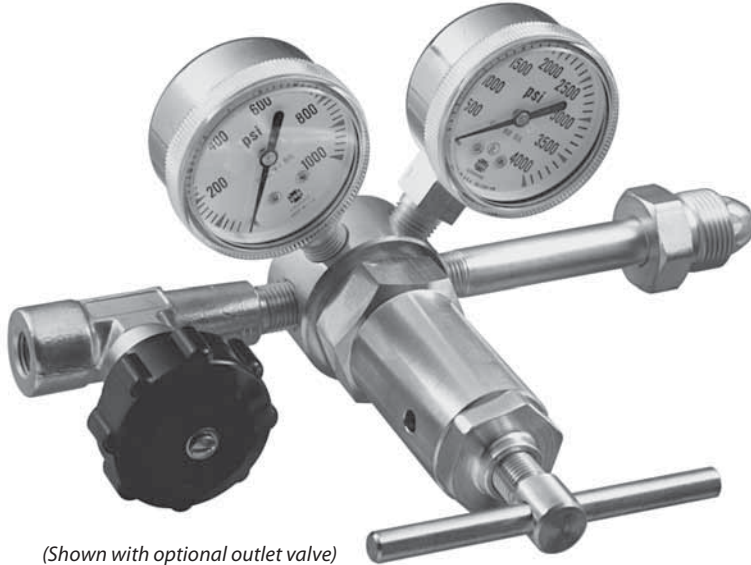


CYL-3 Series

High Pressure Economy Brass Cylinder Regulator



(Shown with optional outlet valve)

The CYL-3 Series is an economical brass high pressure regulator, designed to accept inlet pressures up to 3600 psig and deliver outlet pressures from 0–100 psig up to 0–2000 psig. This single-stage brass regulator is perfectly suited for cylinder usage with non-corrosive gases. Good regulation characteristics are provided by a carefully engineered piston sensor. Ease of outlet pressure adjustment is provided by the T-handle, which is offered as standard.

Features & Specifications

- Inlet pressures up to 3600 psig
- Control pressures from 0–100 psig up to 0–2000 psig
- Brass (alloy 360) construction
- Stainless steel poppet
- 20 micron inlet filter
- Bubble-tight shutoff
- CGA connection with integral inlet filter
- 2" diameter brass gauges
- Cv flow coefficients: 0.06 (standard), 0.2 (optional)
- Better than 25 Ra finish in diaphragm cavity
- Optional relief valves and outlet shutoff valves

pressure regulators

GO Regulator

405 Centura Court • PO Box 4866 (29305) • Spartanburg, SC 29303
Phone (864) 574-7966 Fax (864) 574-5608
www.goreg.com • sales@goreg.com

CYL-3 Series

How to Order

Standard items in bold

C3 - 2 F 1 G 1 3 A 1 CGA Fitting **0 0 0 1**

BODY MATERIAL

2 Brass

PORT CONFIGURATION

F Standard

For more port configurations, see page 19.

PROCESS PORT TYPES

(GAUGE PORT TYPE, IF SPECIFIED)

0 1/8" FNPT (1/8" FNPT gauge ports)

1 1/4" FNPT (1/4" FNPT gauge ports)

OUTPUT RANGE

G 0–100 psig

I 0–250 psig

J 0–500 psig

K 0–1000 psig

L 0–2000 psig

PISTON TYPE

1 Non-self-relieving

3 Self-relieving

GAUGES

1 Include gauges

2 Omit gauges

3 Customer-supplied

CGA FITTINGS

Use '000' to omit CGA

Use 'CUS' for customer-supplied CGA

CAP ASSEMBLY

1 Standard

4 Panel mount

8 Tamper-proof

A Low torque

Y Hand knob

SEAT MATERIAL

A Tefzel®

I Teflon®

FLOW COEFFICIENT (Cv)

3 0.06

5 0.2

For a full list of options, visit the selection matrix for this product on www.goreg.com

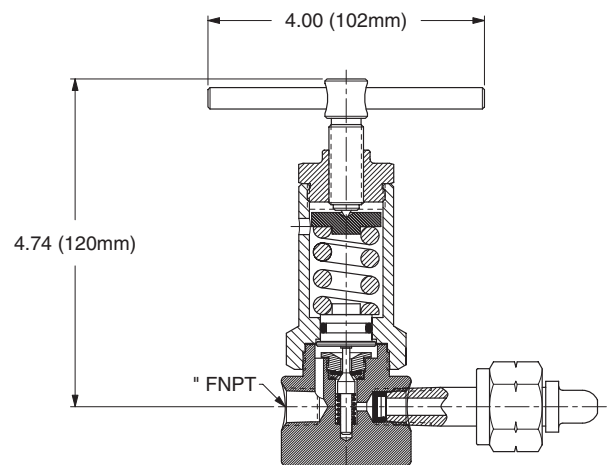
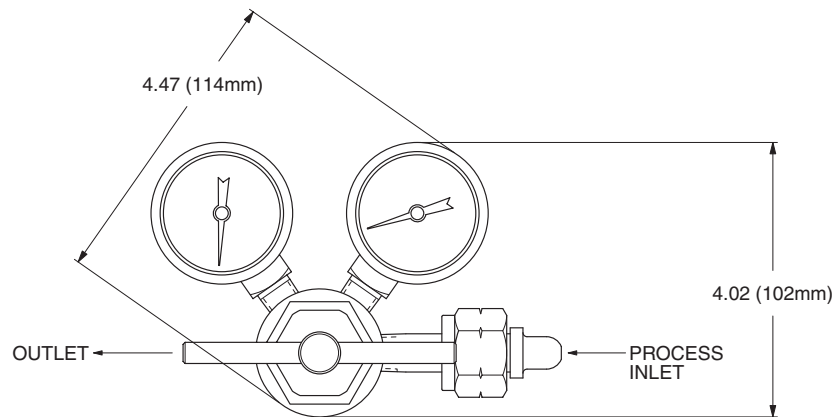
NOTE: The choices above represent an abbreviated list of the more commonly ordered options. For a complete listing of all available options, please see the Selection Wizard on the GO website at www.goreg.com or contact the factory.

Maximum Temperature & Operating Inlet Pressures

SEAT MATERIAL	MAXIMUM TEMPERATURE		MAXIMUM OPERATING INLET PRESSURE
Tefzel®	150° F (66° C)	@	3600 psig (24.82 MPa)
High density Teflon®	150° F (66° C)	@	3600 psig (24.82 MPa)

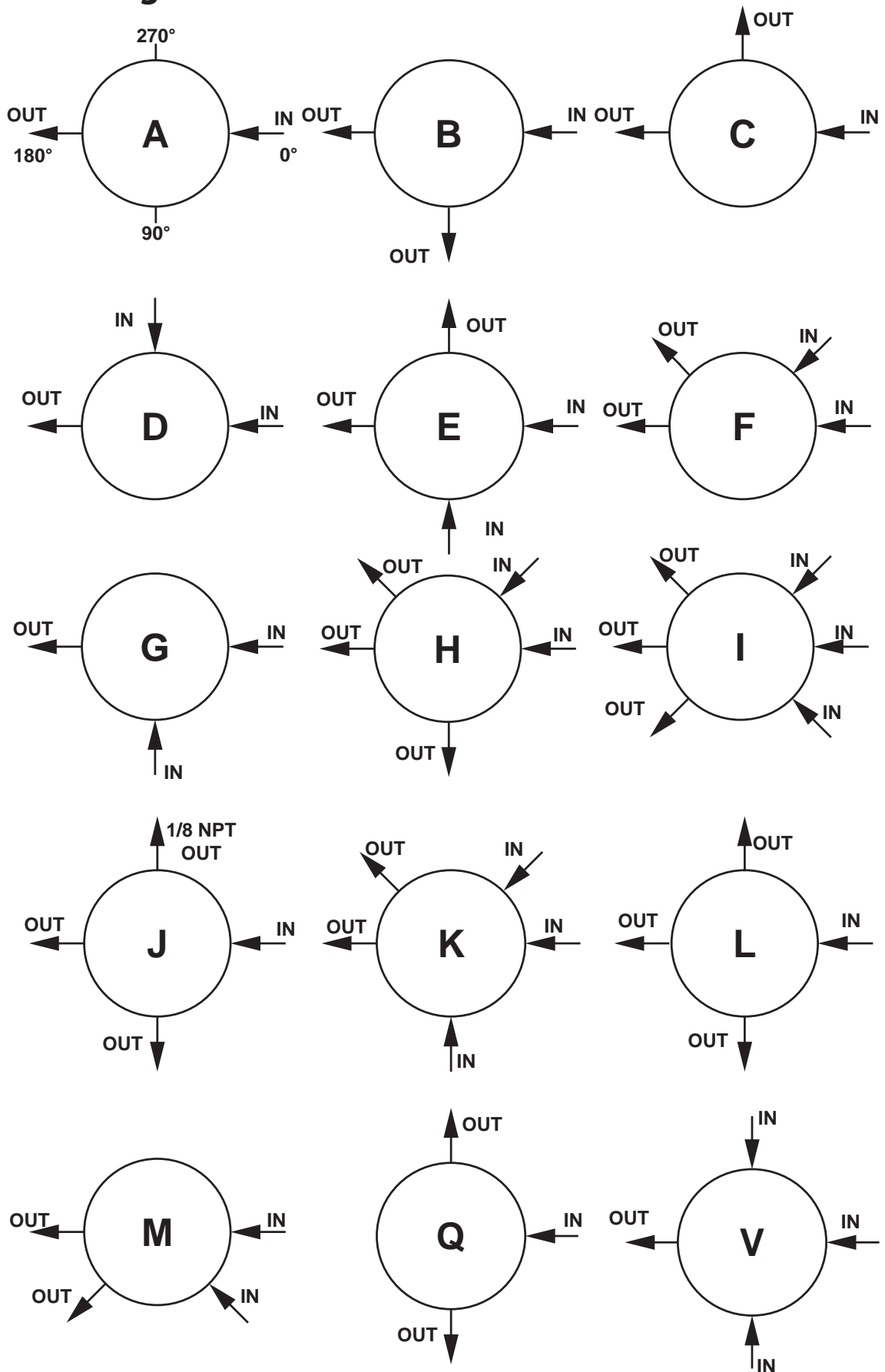
Outline & Mounting Dimensions

Weight = 2.74 lbs (1.22 kg)



Teflon® and Tefzel® are registered trademarks of the DuPont Company.

Porting Configurations for Cylinder Regulators



LOCATION OF PORTS FROM TOP VIEW