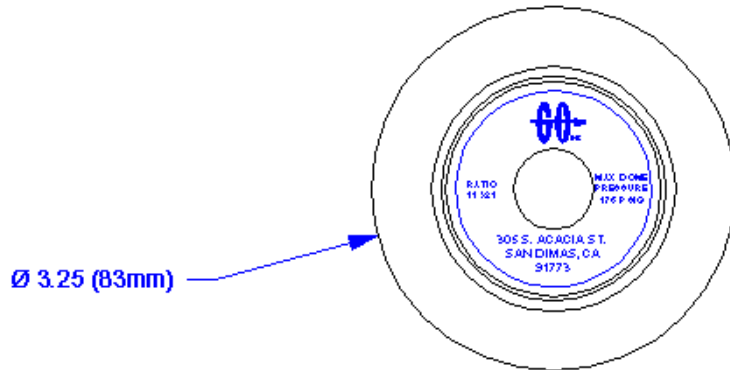
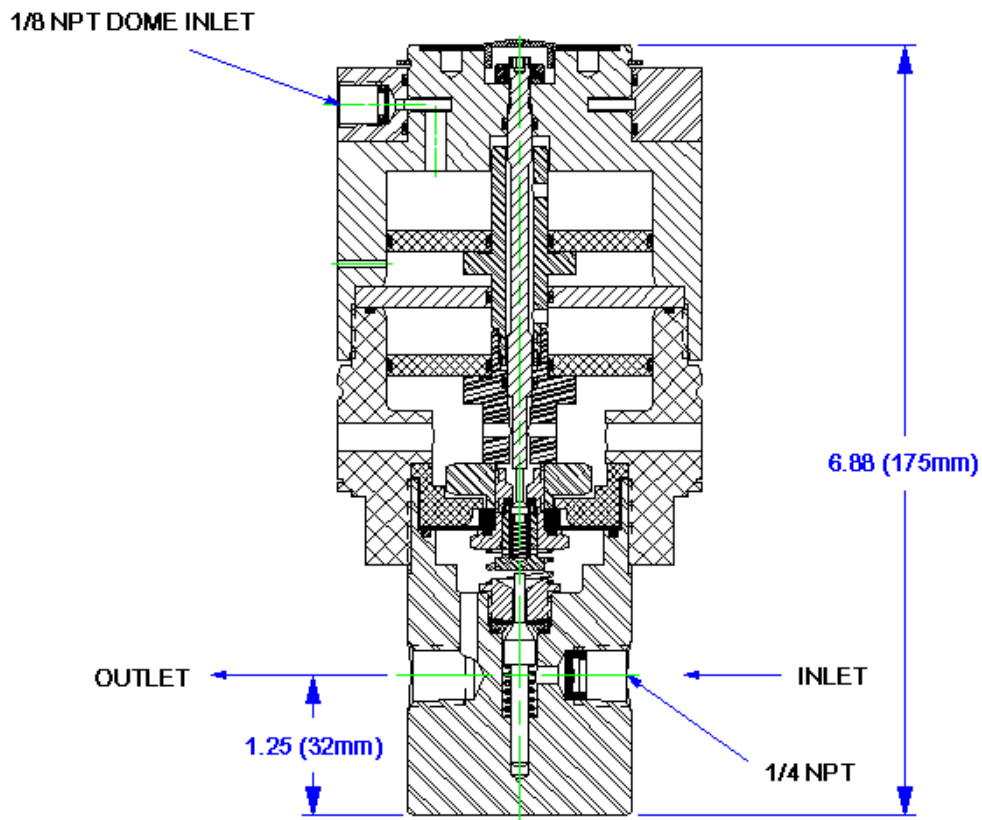


## DL-50 Dome Loaded High Pressure Regulators Outline & Mounting Dimensions



Weight - 5.1 lbs (2.31 kg)



## GO Regulator

405 Centura Court • PO Box 4866 • Spartanburg, SC 29303  
Phone (864) 574-7966 • Fax (864) 574-5608  
[www.goreg.com](http://www.goreg.com) • [sales@goreg.com](mailto:sales@goreg.com)