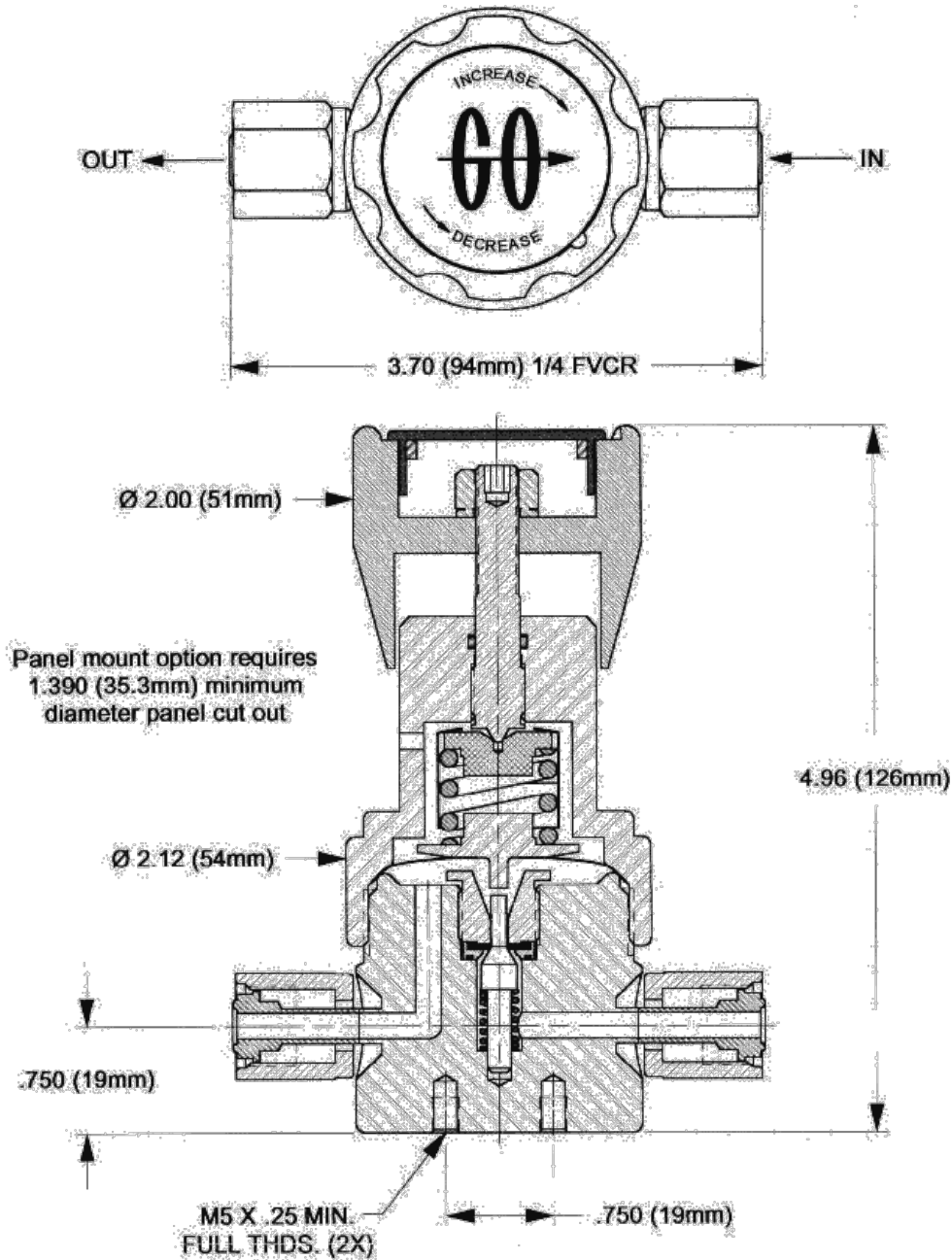


**UPR-1 Series High Purity Regulator  
Outline & Mounting Dimensions**



**GO Regulator**

405 Centura Court • PO Box 4866 • Spartanburg, SC 29303  
Phone (864) 574-7966 • Fax (864) 574-5608  
www.goreg.com • sales@goreg.com